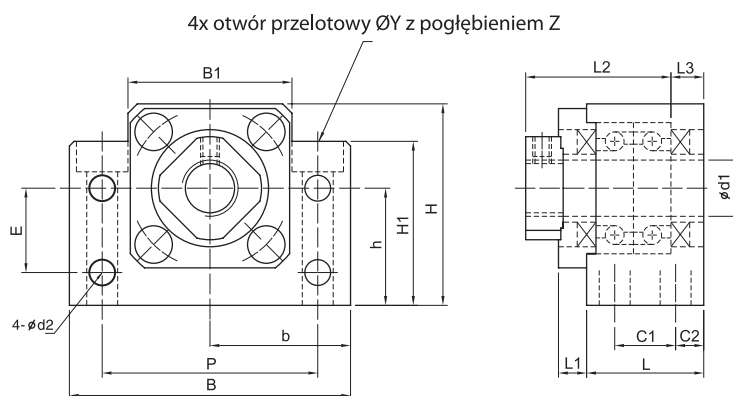


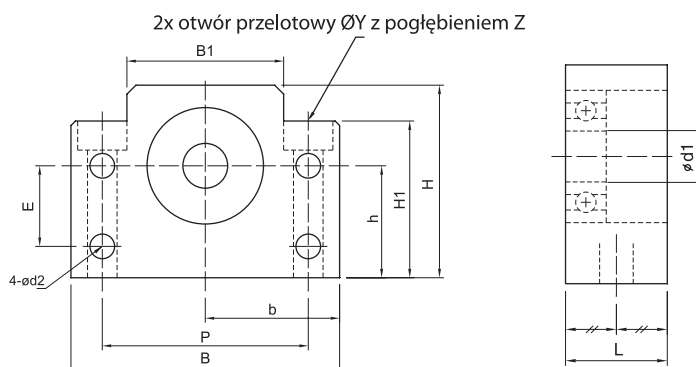
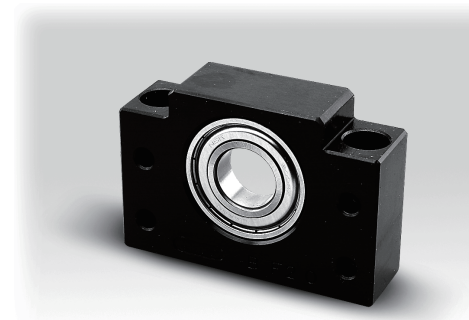
BK strona napędowa



[mm]

| Model | d1 | L | L1 | L2 | L3 | C1 | C2 | B | H | b ^{0.02} | h ^{0.02} | B1 | H1 | E | P | d2 | X | Y | Z | M | T | G | Q | kg |
|-------------|----|----|----|----|----|----|----|-----|-----|-------------------|-------------------|-----|----|----|-----|-----|-----|----|-----|----|----|----|----|-----|
| BK10 | 10 | 25 | 5 | | 5 | 13 | 6 | 60 | 39 | 30 | 22 | 34 | | 15 | 46 | 5.5 | 6.6 | | 5 | M3 | 16 | 15 | M6 | 0.4 |
| BK12 | 12 | 25 | 5 | | 5 | 13 | 6 | 60 | 43 | 30 | 25 | 34 | | 18 | 46 | 5.5 | 6.6 | | 1.5 | M4 | 19 | 18 | M6 | |
| BK15 | 15 | 27 | 6 | 32 | 6 | 15 | 6 | 70 | 48 | 35 | 28 | 40 | 38 | 18 | 54 | 5.5 | 6.6 | 11 | 6.5 | M4 | 22 | 18 | M6 | 0.6 |
| BK17 | 17 | 35 | 9 | 44 | 7 | 19 | 8 | 86 | 64 | 43 | 39 | 59 | 55 | 28 | 68 | 6.6 | 9 | 14 | 8.5 | M4 | 24 | 30 | M6 | 1.3 |
| BK20 | 20 | 35 | 8 | 43 | 8 | 19 | 8 | 88 | 60 | 44 | 34 | 52 | 50 | 22 | 70 | 6.6 | 9 | 14 | 8.5 | M4 | 30 | 24 | M6 | 1.3 |
| BK25 | 25 | 42 | 12 | 54 | 9 | 22 | 10 | 106 | 80 | 53 | 48 | 64 | 70 | 33 | 85 | 9 | 11 | 17 | 11 | M5 | 35 | 37 | M6 | 2.4 |
| BK30 | 30 | 45 | 14 | 61 | 9 | 23 | 11 | 128 | 89 | 64 | 51 | 76 | 78 | 33 | 102 | 11 | 14 | 20 | 13 | M6 | 40 | 37 | M6 | 3.4 |
| BK35 | 35 | 50 | 14 | 67 | 12 | 26 | 12 | 140 | 96 | 70 | 52 | 88 | 79 | 35 | 114 | 11 | 14 | 20 | 13 | M8 | 50 | 37 | M6 | 4.4 |
| BK40 | 40 | 61 | 18 | 76 | 15 | 33 | 14 | 160 | 110 | 80 | 60 | 100 | 90 | 37 | 130 | 14 | 18 | 26 | | M8 | 50 | 43 | M6 | 6.8 |

BF strona podparcia



[mm]

| Model | d1 | L | B | H | b ^{0.02} | h ^{0.02} | B1 | H1 | E | P | D2 | X | Y | Z | kg |
|--------------|----|----|-----|-----|-------------------|-------------------|-----|------|----|-----|-----|-----|------|------|-------|
| BF10 | 8 | 20 | 60 | 39 | 30 | 22 | 34 | 32.5 | 15 | 46 | 5.5 | 6.6 | 10.8 | 5 | 0.3 |
| BF12 | 10 | 20 | 60 | 43 | 30 | 25 | 35 | 35 | 18 | 46 | 5.5 | 6.6 | 10.8 | 1.5 | 0.35 |
| BF15 | 15 | 20 | 70 | 48 | 35 | 28 | 40 | 38 | 18 | 54 | 5.5 | 6.6 | 11 | 6.5 | 0.4 |
| BF17 | 17 | 23 | 86 | 64 | 43 | 39 | 59 | 55 | 28 | 68 | 6.6 | 9 | 14 | 8.5 | 0.75 |
| BF20 | 20 | 26 | 88 | 60 | 44 | 34 | 52 | 50 | 22 | 70 | 6.6 | 9 | 14 | 8.5 | 0.77 |
| BF20H | 20 | 26 | 88 | 74 | 44 | 48 | 52 | 64 | - | 70 | - | 9 | 14 | 8.5 | 1.017 |
| BF25 | 25 | 30 | 106 | 80 | 53 | 48 | 64 | 70 | 33 | 85 | 9 | 11 | 17.5 | 11 | 1.45 |
| BF30 | 30 | 32 | 128 | 89 | 64 | 51 | 76 | 78 | 33 | 102 | 11 | 14 | 20 | 13 | 1.95 |
| BF35 | 35 | 32 | 140 | 96 | 70 | 52 | 88 | 79 | 35 | 114 | 11 | 14 | 20 | 13 | 2.25 |
| BF40 | 40 | 37 | 160 | 110 | 80 | 60 | 100 | 90 | 37 | 130 | 14 | 18 | 26 | 17.5 | 3.3 |