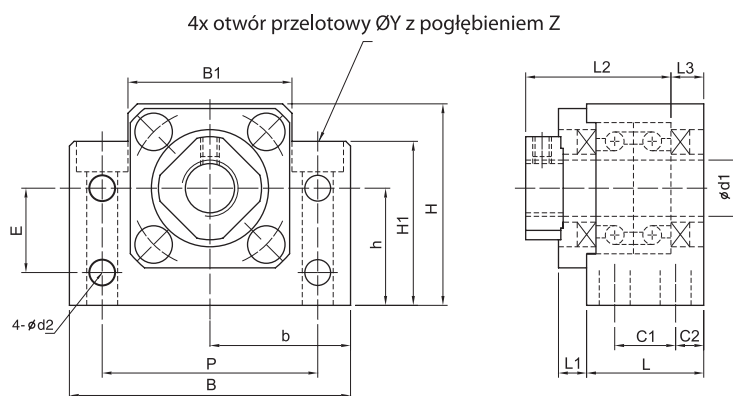


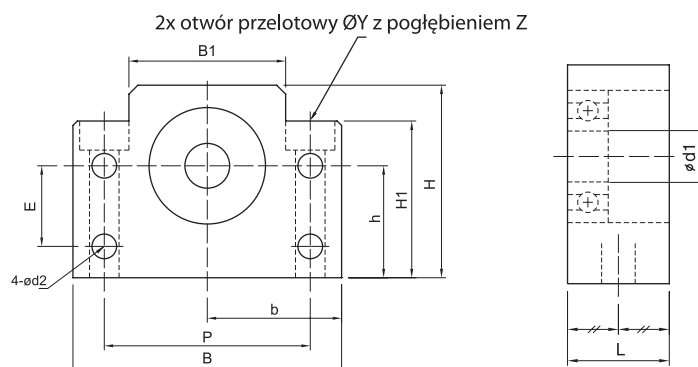
BK strona napędowa



[mm]

Model	d1	L	L1	L2	L3	C1	C2	B	H	b ^{0.02}	h ^{0.02}	B1	H1	E	P	d2	X	Y	Z	M	T	G	Q	kg
BK10	10	25	5	29.5	5	13	6	60	39	30	22	34	32.5	15	46	5.5	6.6	10.8	5	M3	16	15	M6	0.4
BK12	12	25	5	29.5	5	13	6	60	43	30	25	34	32.5	18	46	5.5	6.6	10.8	1.5	M4	19	18	M6	0.45
BK15	15	27	6	32	6	15	6	70	48	35	28	40	38	18	54	5.5	6.6	11	6.5	M4	22	18	M6	0.6
BK17	17	35	9	44	7	19	8	86	64	43	39	59	55	28	68	6.6	9	14	8.5	M4	24	30	M6	1.3
BK20	20	35	8	43	8	19	8	88	60	44	34	52	50	22	70	6.6	9	14	8.5	M4	30	24	M6	1.3
BK25	25	42	12	54	9	22	10	106	80	53	48	64	70	33	85	9	11	17	11	M5	35	37	M6	2.4
BK30	30	45	14	61	9	23	11	128	89	64	51	76	78	33	102	11	14	20	13	M6	40	37	M6	3.4
BK35	35	50	14	67	12	26	12	140	96	70	52	88	79	35	114	11	14	20	13	M8	50	37	M6	4.4
BK40	40	61	18	76	15	33	14	160	110	80	60	100	90	37	130	14	18	26	17.5	M8	50	43	M6	6.8

BF strona podparcia



[mm]

Model	d1	L	B	H	b ^{0.02}	h ^{0.02}	B1	H1	E	P	D2	X	Y	Z	kg
BF10	8	20	60	39	30	22	34	32.5	15	46	5.5	6.6	10.8	5	0.3
BF12	10	20	60	43	30	25	35	35	18	46	5.5	6.6	10.8	1.5	0.35
BF15	15	20	70	48	35	28	40	38	18	54	5.5	6.6	11	6.5	0.4
BF17	17	23	86	64	43	39	59	55	28	68	6.6	9	14	8.5	0.75
BF20	20	26	88	60	44	34	52	50	22	70	6.6	9	14	8.5	0.77
BF20H	20	26	88	74	44	48	52	64	-	70	-	9	14	8.5	1.017
BF25	25	30	106	80	53	48	64	70	33	85	9	11	17.5	11	1.45
BF30	30	32	128	89	64	51	76	78	33	102	11	14	20	13	1.95
BF35	35	32	140	96	70	52	88	79	35	114	11	14	20	13	2.25
BF40	40	37	160	110	80	60	100	90	37	130	14	18	26	17.5	3.3