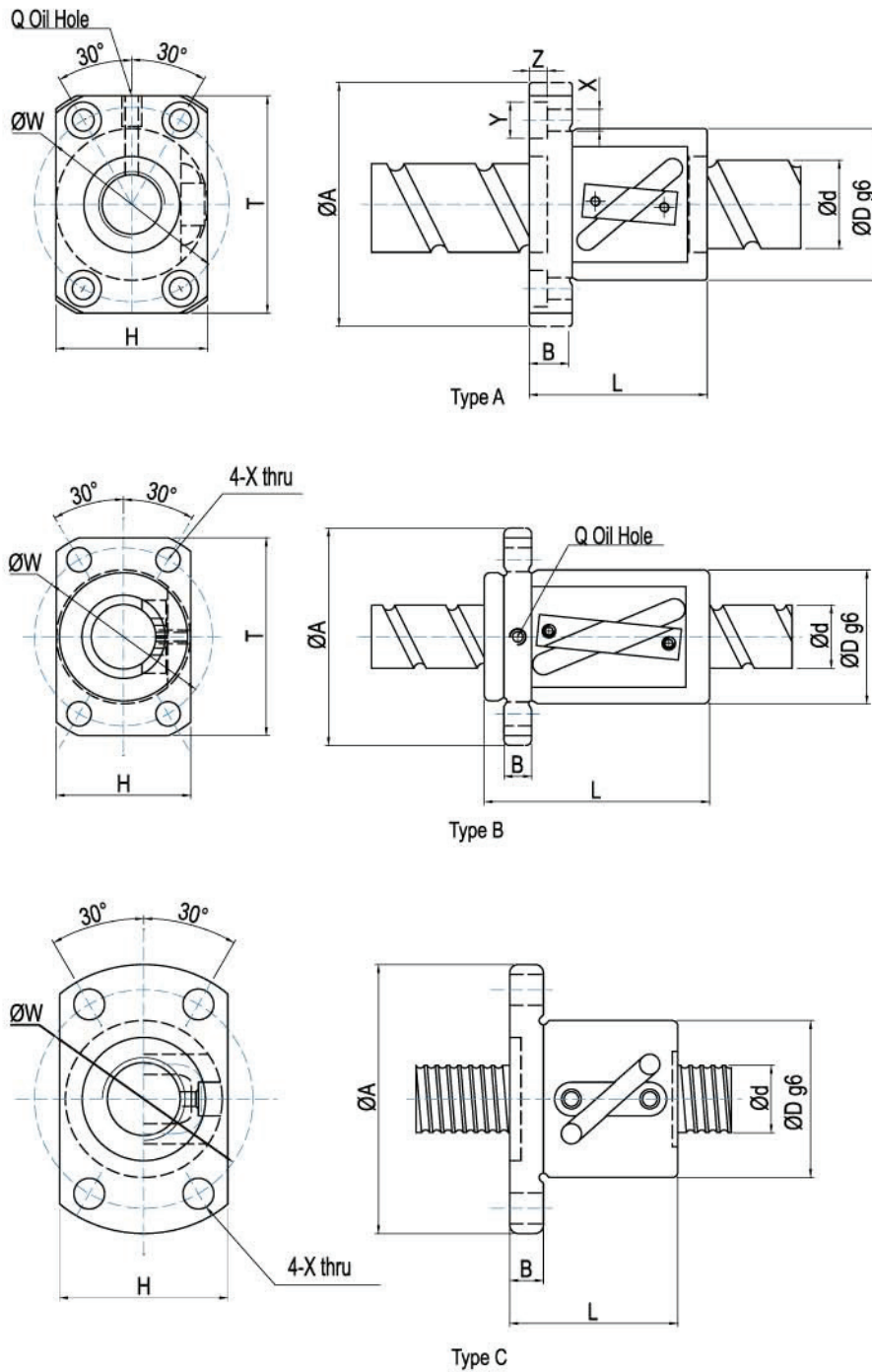


7.8 Type: FSW (dia. 12mm without seal)



Unit : mm

Model No.	Dimensions																Ca(Kgf)	Coa(kgf)
	d	l	Da	D	A	B	L	W	X	Y	Z	H	T	Q	Type	n		
▲ 1204-3.5	12	4	2.381	28	48	6	30	39	5.5	-	-	30	-	-	A	C1	425	738
▲ 1205-3.5	12	5	2	28	48	6	35	39	5.5	-	-	30	-	-	A	C1	662	1036
★ 1520-1.5	15	20	3.175	34	55	7	57	45	6	-	-	34	50	M4	B	A1	465	788
2010-2.5	20	10	3.969	46	74	13	54	59	6.6	11	5.5	46	66	M6	C	B1	702	1102

★ Left thread available
▲ without wipers