

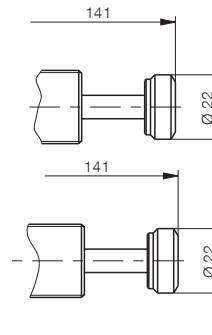
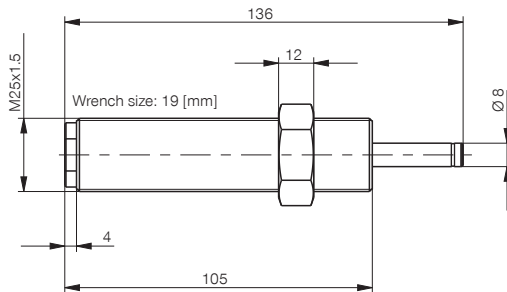
INDUSTRIAL SHOCK ABSORBER

SIZE M25X1.5



PowerStop®

- ▶ **Angle of Impact max.** 2 [°]
- ▶ **Weight with locknut** 270 [g]
- ▶ **Piston return time** 0.4 [s]
- ▶ **Min. return force** 25 [N]
- ▶ **Max. return force** 50 [N]
- ▶ **Permitted temperature range** -10 ... +70 [°C]



S: assembled with steel head

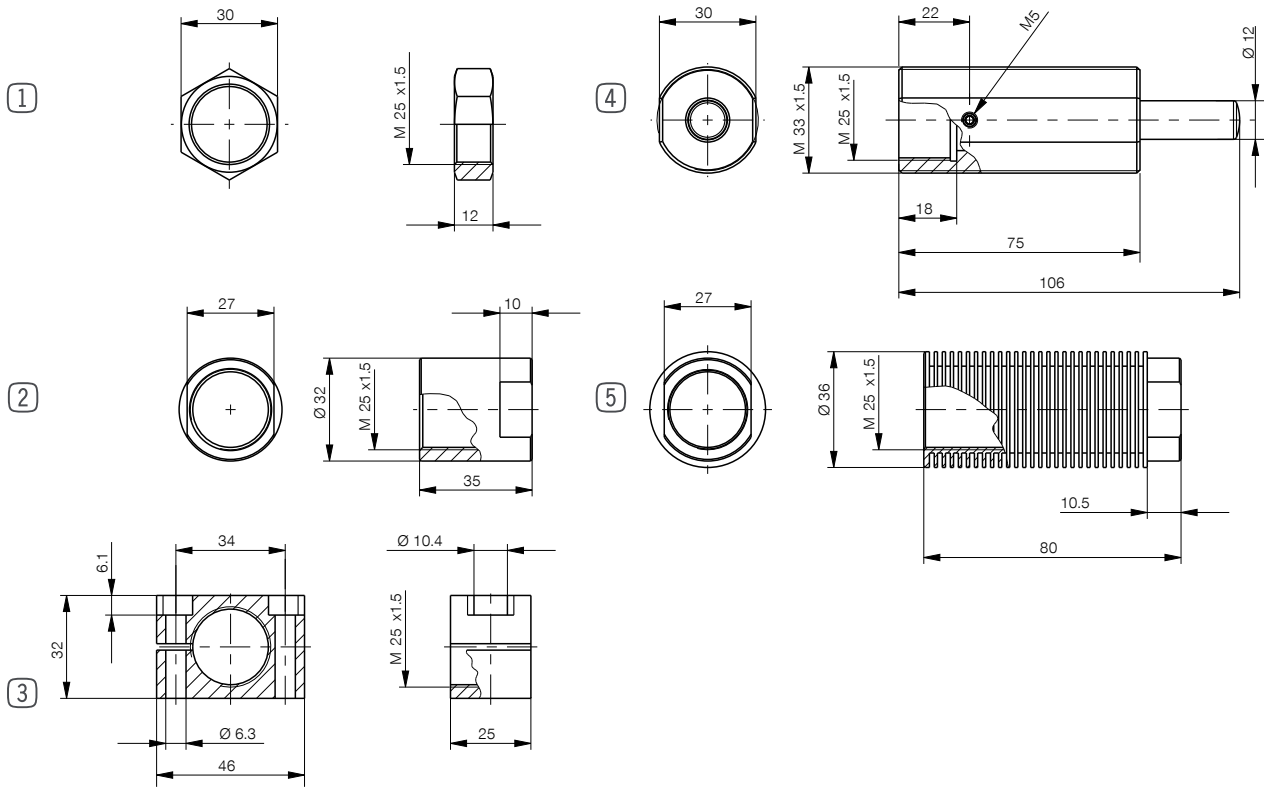
K: assembled with plastic head

▶ Technical data

Order No.	Max. energy absorption			Stroke [mm]	Impact speed	
	Continuous operation		Emergency stop operation		min.	max.
	[Nm]	[Nm/h]	[Nm]	[m/s]		
M25X1.5HK	210	120,000	450	25	0.2	1.2
M25X1.5HS	210	120,000	450	25	0.2	1.2
M25X1.5H	210	120,000	450	25	0.2	1.2
M25X1.5MK	210	120,000	400	25	0.8	2.2
M25X1.5MS	210	120,000	400	25	0.8	2.2
M25X1.5M	210	120,000	400	25	0.8	2.2
M25X1.5SK	190	100,000	350	25	1.8	3.5
M25X1.5SS	190	100,000	350	25	1.8	3.5
M25X1.5S	190	100,000	350	25	1.8	3.5
M25X1.5WK	100	100,000	-	25	1.8	4
M25X1.5WS	100	100,000	-	25	1.8	4
M25X1.5W	100	100,000	-	25	1.8	4

▶ Technical data

Order No.	Max. energy absorption			Stroke [mm]	Impact speed	
	Continuous operation		Emergency stop operation		min.	max.
	[Nm]	[Nm/h]	[Nm]	[m/s]		
M25X1.5RHK	90	80,000	-	25	0.2	1.2
M25X1.5RHS	90	80,000	-	25	0.2	1.2
M25X1.5RH	90	80,000	-	25	0.2	1.2
M25X1.5RMK	90	80,000	-	25	0.8	2.2
M25X1.5RMS	90	80,000	-	25	0.8	2.2
M25X1.5RM	90	80,000	-	25	0.8	2.2
M25X1.5RSK	90	80,000	-	25	1.8	3.5
M25X1.5RSS	90	80,000	-	25	1.8	3.5
M25X1.5RS	90	80,000	-	25	1.8	3.5



► Size: **M25X1.5**

Pos.	Accessories	Weight	Order no.
①	Steel locknut	33 [g]	MSM25X1.5
①	Stainless steel locknut	33 [g]	MVM25X1.5
②	Stop sleeve*	130 [g]	MAH25X1.5
③	Clamping flange	200 [g]	MKF25X1.5
④	Side load adapter / air barrier adapter	390 [g]	MRA25X1.5
⑤	Cooling nut	70 [g]	MKM25X1.5

Maximum fastening torque of locknut: 60 [Nm]

*inclusive Stainless-Steel locknut MVM