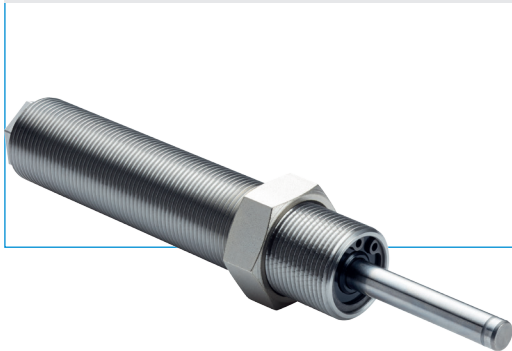


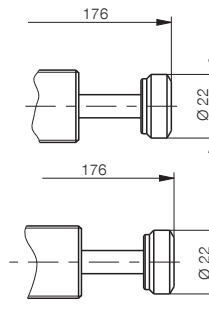
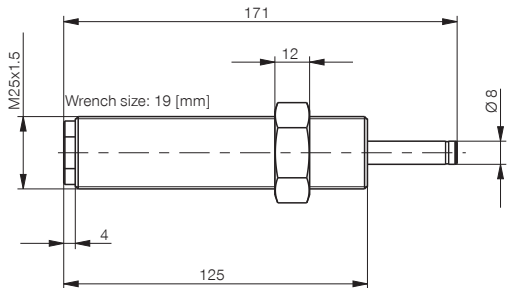
# INDUSTRIAL SHOCK ABSORBER

## SIZE M25X1.5L



PowerStop®

- ▶ **Angle of Impact max.** 2 [°]
- ▶ **Weight with locknut** 340 [g]
- ▶ **Piston return time** 0.6 [s]
- ▶ **Min. return force** 25 [N]
- ▶ **Max. return force** 55 [N]
- ▶ **Permitted temperature range** -10 ... +70 [°C]



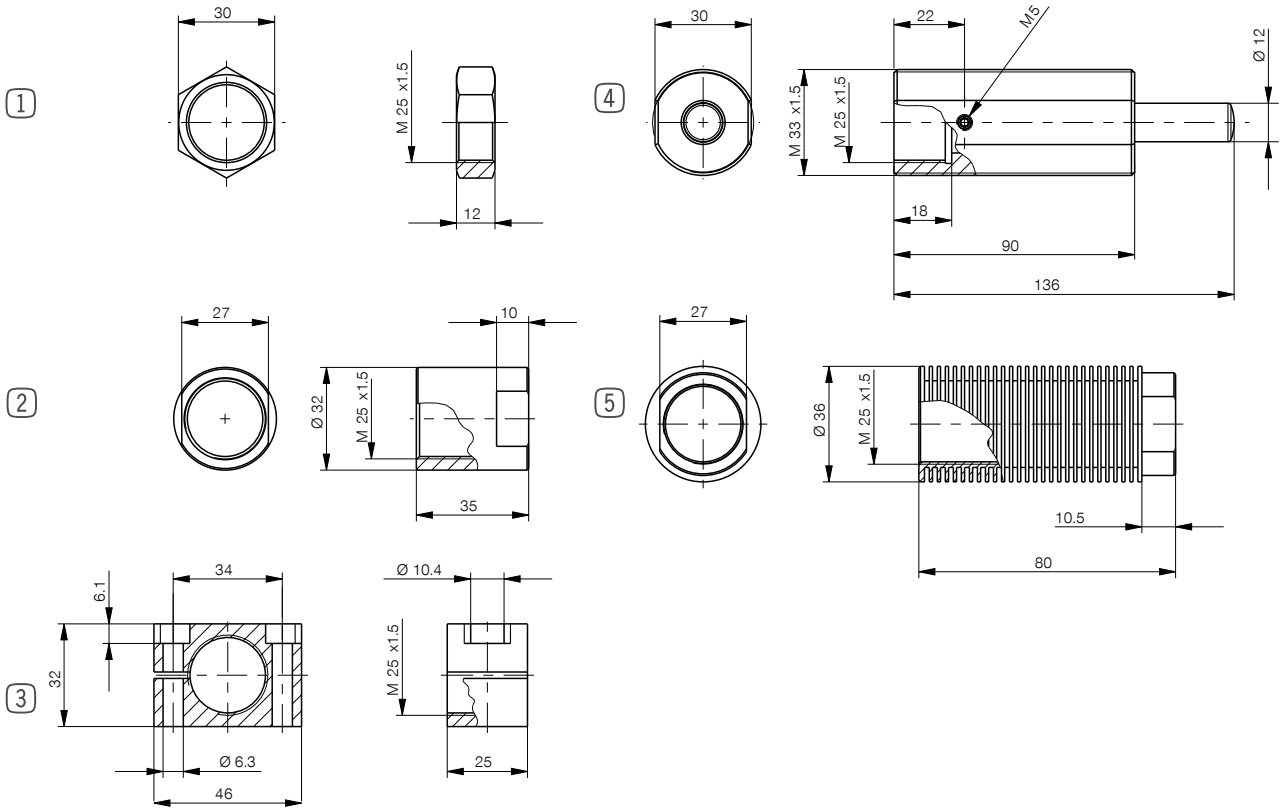
S: assembled with steel head

K: assembled with plastic head

### ▶ Technical data

Order No.	Max. energy absorption			Stroke [mm]	Impact speed	
	Continuous operation		Emergency stop operation per stroke		min.	max.
	per stroke	per hour				
<b>M25X1.5LS</b>	250 [Nm]	135,000 [Nm/h]	500 [Nm]	40	1.8	3.5
<b>M25X1.5LSS</b>	250	135,000	500	40	1.8	3.5
<b>M25X1.5LSK</b>	250	135,000	500	40	1.8	3.5
<b>M25X1.5LM</b>	350	150,000	750	40	0.8	2.2
<b>M25X1.5LMS</b>	350	150,000	750	40	0.8	2.2
<b>M25X1.5LMK</b>	350	150,000	750	40	0.8	2.2

HIGH ENERGY



► Size: **M25X1.5L**

Pos.	Accessories	Weight	Order no.
①	Steel locknut	33 [g]	<b>MSM25X1.5</b>
①	Stainless steel locknut	33 [g]	<b>MVM25X1.5</b>
②	Stop sleeve*	130 [g]	<b>MAH25X1.5</b>
③	Clamping flange	200 [g]	<b>MKF25X1.5</b>
④	Side load adapter / air barrier adapter	460 [g]	<b>MRA25X1.5L</b>
⑤	Cooling nut	70 [g]	<b>MKM25X1.5</b>

Maximum fastening torque of locknut: 60 [Nm]

\*inclusive Stainless-Steel locknut MVM