

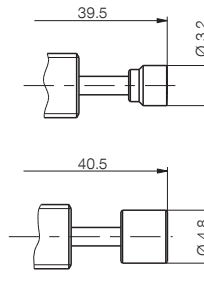
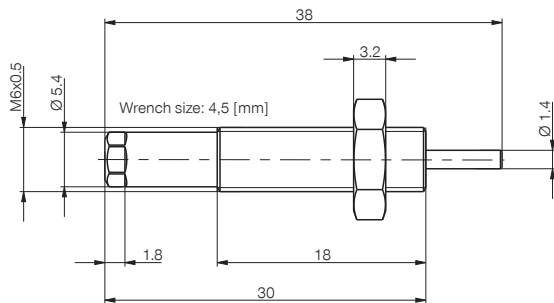
INDUSTRIAL SHOCK ABSORBER

SIZE M6X0.5



PowerStop®

- ▶ **Angle of Impact max.** 2 [°]
- ▶ **Weight with locknut** 5 [g]
- ▶ **Piston return time** 0.15 [s]
- ▶ **Min. return force** 1 [N]
- ▶ **Max. return force** 3 [N]
- ▶ **Permitted temperature range** -10 ... +70 [°C]



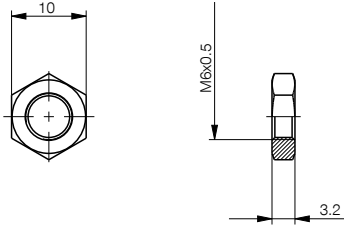
S: assembled with steel head

K: assembled with plastic head

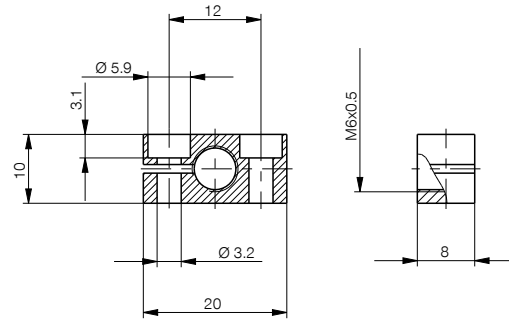
▶ Technical data

Order No.	Max. energy absorption			Stroke [mm]	Impact speed	
	Continuous operation		Emergency stop operation per stroke		min.	max.
	per stroke	per hour				
HIGH ENERGY M6X0.5MK	1.5 [Nm]	3,200 [Nm/h]	- [Nm]	4	0.8	2.2
M6X0.5MS	1.5	3,200	-	4	0.8	2.2
M6X0.5M	1.5	3,200	-	4	0.8	2.2
M6X0.5SK	1.5	3,200	-	4	1.8	3.5
M6X0.5SS	1.5	3,200	-	4	1.8	3.5
M6X0.5S	1.5	3,200	-	4	1.8	3.5

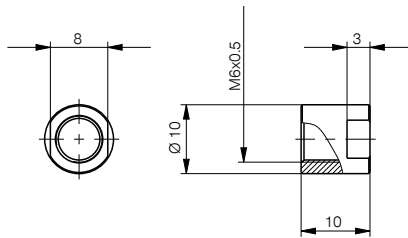
①



③



②



► Size: **M6X0.5**

Pos.	Accessories	Weight	Order no.
①	Steel locknut	2 [g]	MSM6X0.5
①	Stainless steel locknut	2 [g]	MVM6X0.5
②	Stop sleeve*	8 [g]	MAH6x0.5
③	Clamping flange	10 [g]	MKF6X0.5

Maximum fastening torque of locknut: 4 [Nm]

*inclusive Stainless-Steel locknut MVM